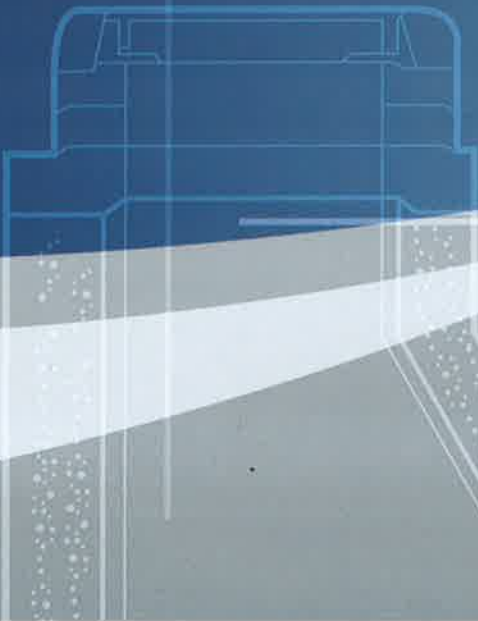




Precast L - Shaped Units



Certified to ISO 9001 : 2015
Cert. No. : QMS 00787



Certified to ISO 9001 : 2015
Cert. No. : QMS 00787

PRECAST RC L-SHAPED UNITS

Overview :-

E-RETE's Precast L-Shaped Units are commonly known as Cantilever Retaining walls. They consist of a vertical **stem** and a base slab. The base is divided into two parts, the Heel and Toe. The heel extends into the load side of the wall and the toe extends from the wall face. E-RETE manufactures L-Shaped units **With Toe** and **Without Toe** provided with starter bars.

Applications:-

- L-Shaped Units is used as Retaining Wall and temporary or permanent storage walls.
- They are stabilizing structures that used for preventing erosion and retain retained earth.
- L-Shaped Units with Precast Dry Weather Flow Section also can be used as a Main Drain to replace earth drains.
- It is faster and easier to install compared with cast-insitu works .

Advantages:-

- Offers economical and simpler construction procedure.
- Reliable factory cast concrete.
- Durable and low maintenance.
- Easy to unload from transport and simple installation.
- Eco-friendly.

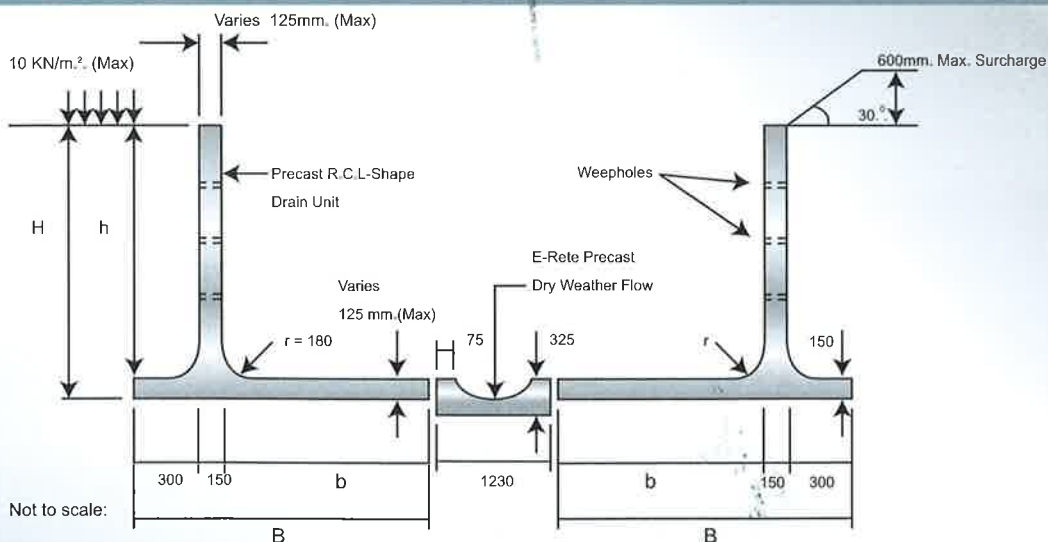
Design Criteria:-

- 1) Design accordance to BS 8110: 1997, Part 1.
 - Type 1: 10KN/m² - MOT HA Loading behind the wall.
 - Type 2: 300° Slope and 600mm maximum surcharge behind the wall (Type Main Drain).
 - Type 3: 300 Slope and 600mm maximum surcharge behind the wall (Type Retaining wall).
- 2) Concrete Strength = 40N/mm²
- 3) Concrete Cover = 25 mm
- 4) Steel Grade = Grade 500
- 5) Standard Length - 1000mm

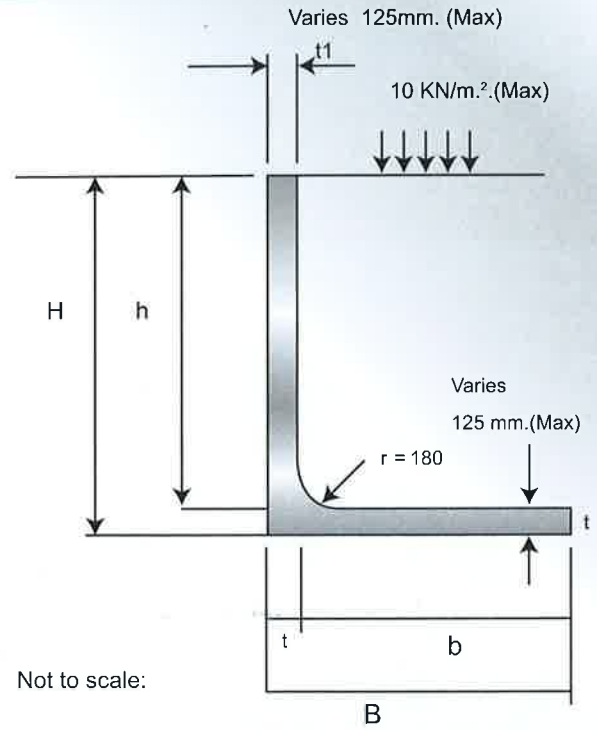
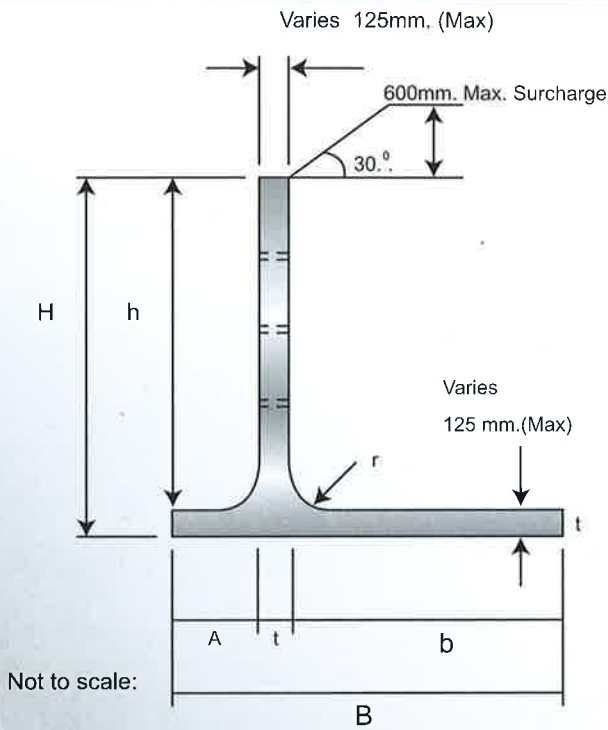
Note: The Engineer Contractor who responsible for the works shall ensure that the Soil bearing capacity requirement for the foundation is fulfilled and there is no water pressure accumulation on the load side of the wall.



PRECAST R.C.L- SHAPED UNITS (Main Drain)



PRECAST R.C.L- SHAPED UNITS (Retaining Wall)



* E-RETE reserves the right to alter specifications without prior notice.

L-SHAPED UNITS c/w STARTER BARS

Standard Dimensions and Properties

| H mm | B mm | h mm | b mm | A mm | Thickness (t) mm | Weight Per Unit Tonnes |
|---------|---------|---------|---------|---------|---------------------|---------------------------|
| 1050 | 900 | 900 | 450 | 300 | 150 | 0.700 |
| 1350 | 1200 | 1200 | 750 | 300 | 150 | 0.906 |
| 1520 | 1380 | 1370 | 930 | 300 | 150 | 1.026 |
| 1650 | 1500 | 1500 | 1050 | 300 | 150 | 1.112 |
| 1830 | 1690 | 1680 | 1240 | 300 | 150 | 1.215 |
| 1950 | 1800 | 1800 | 1350 | 300 | 150 | 1.319 |
| 2130 | 1990 | 1980 | 1540 | 300 | 150 | 1.446 |
| 2250 | 2100 | 2100 | 1650 | 300 | 150 | 1.525 |
| 2440 | 2300 | 2290 | 1850 | 300 | 150 | 1.659 |
| 2550 | 2400 | 2400 | 1950 | 300 | 150 | 1.731 |
| 2740 | 2600 | 2590 | 2150 | 300 | 150 | 1.865 |
| 2850 | 2700 | 2700 | 2250 | 300 | 150 | 1.937 |
| 3050 | 2910 | 2900 | 2460 | 300 | 150 | 2.078 |
| 3150 | 2850 | 3000 | 2400 | 300 | 150 | 2.092 |
| 3350 | 3210 | 3150 | 2560 | 450 | 200 | 2.864 |
| 3660 | 3520 | 3460 | 2700 | 620 | 200 | 3.135 |

L-SHAPED UNITS WITHOUT TOE c/w STARTER BARS

Standard Dimensions and Properties

| H mm | B mm | h mm | b mm | tl mm | Thickness (t) mm | Weight Per Unit Tonnes |
|---------|---------|---------|---------|----------|---------------------|---------------------------|
| 1050 | 900 | 900 | 750 | 125 | 150 | 0.659 |
| 1250 | 1400 | 1050 | 1250 | 125 | 150 | 0.883 |
| 1350 | 1400 | 1200 | 1250 | 125 | 150 | 0.934 |
| 1500 | 1400 | 1350 | 1250 | 125 | 150 | 0.986 |
| 1650 | 1400 | 1500 | 1250 | 125 | 150 | 1.037 |
| 1800 | 1700 | 1650 | 1550 | 125 | 150 | 1.192 |
| 1950 | 1700 | 1800 | 1550 | 125 | 150 | 1.244 |
| 2100 | 1700 | 1950 | 1550 | 125 | 150 | 1.295 |
| 2250 | 1700 | 2100 | 1550 | 125 | 150 | 1.347 |
| 2400 | 2150 | 2250 | 2000 | 125 | 150 | 1.553 |
| 2550 | 2150 | 2400 | 2000 | 125 | 150 | 1.605 |
| 2700 | 2150 | 2550 | 2000 | 125 | 150 | 1.656 |
| 2850 | 2150 | 2700 | 2000 | 125 | 150 | 1.708 |