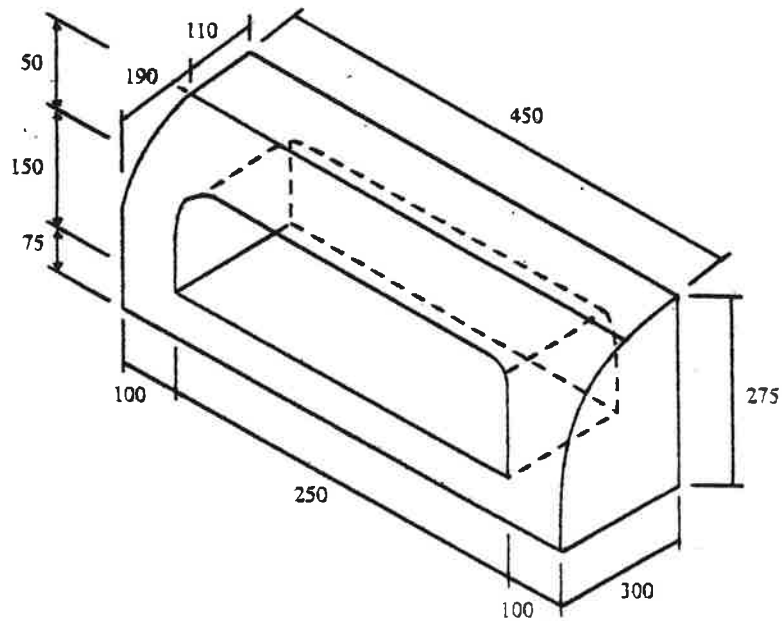
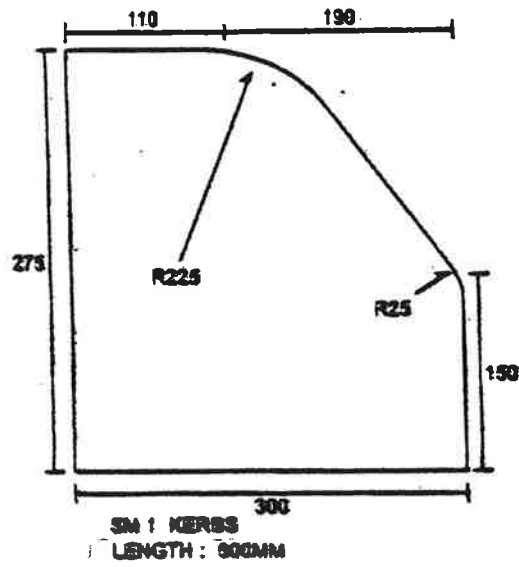




E-RETE (MALAYA) SDN. BHD.

PRECAST CONCRETE KERBS

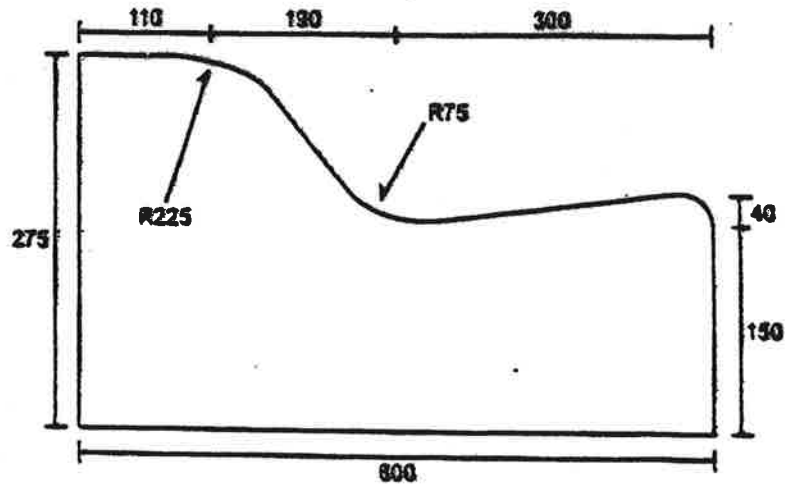


SM (1) WITH HOLE
LENGTH: 450mm

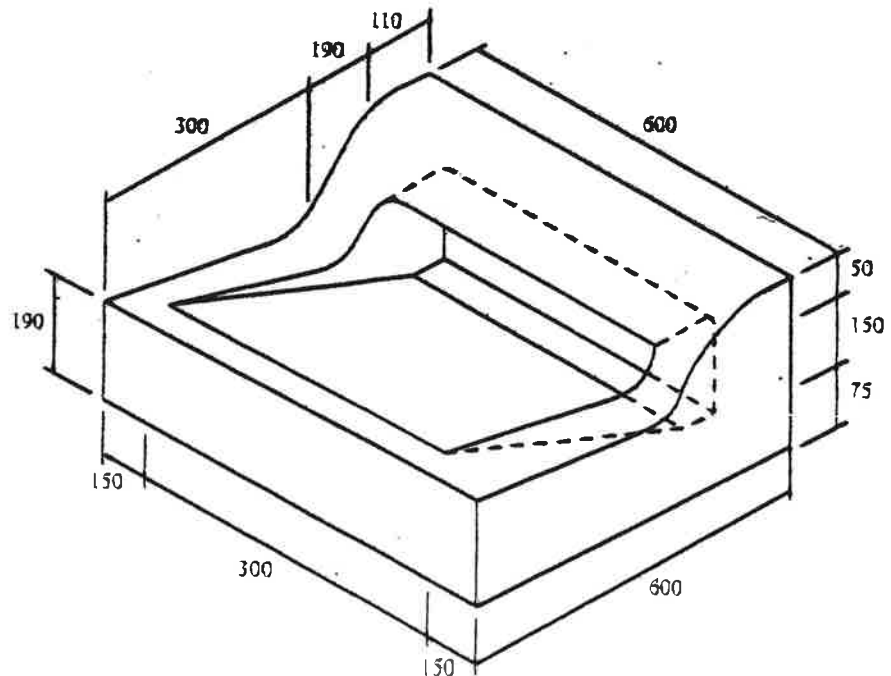


E-RETE (MALAYA) SDN. BHD.

PRECAST CONCRETE KERBS



SM 2 KERBS
LENGTH : 600 MM

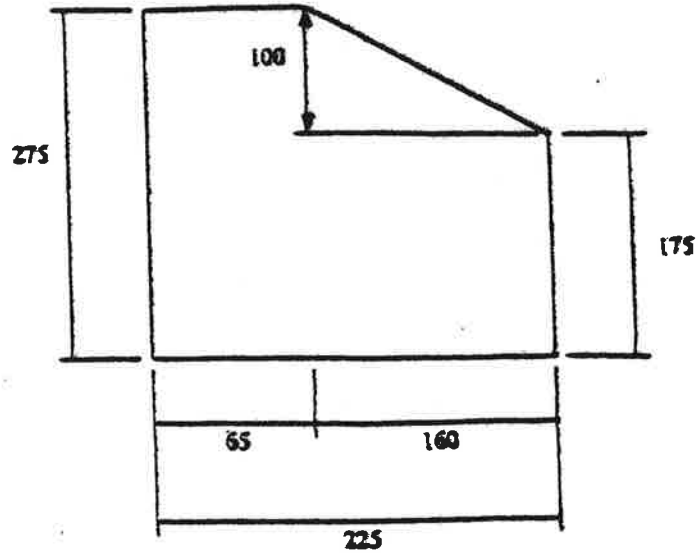


SM (2) WITH HOLE
LENGTH 600mm

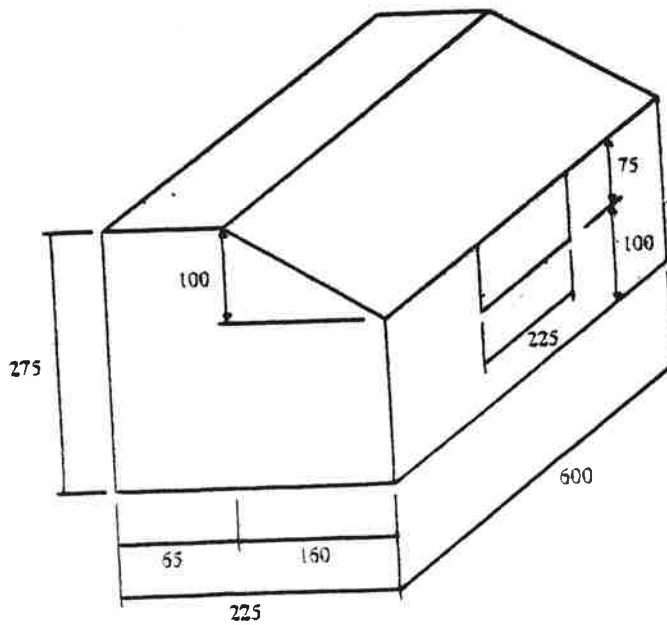


E-RETE (MALAYA) SDN. BHD.

PRECAST CONCRETE KERBS



SEMI MOUNTABLE KERB SM3
LENGTH : 600 MM

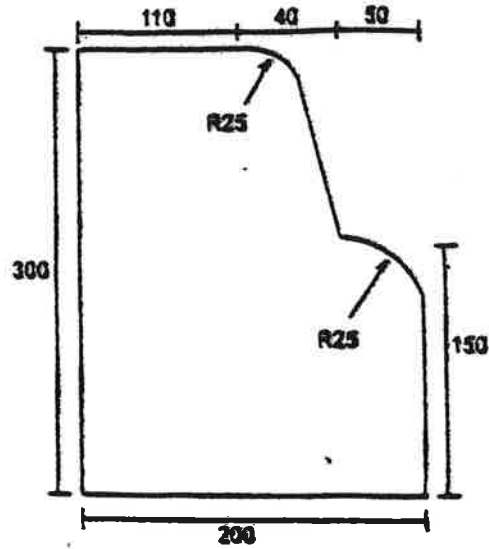


SEMI MOUNTABLE KERB SM3a
LENGTH: 600mm

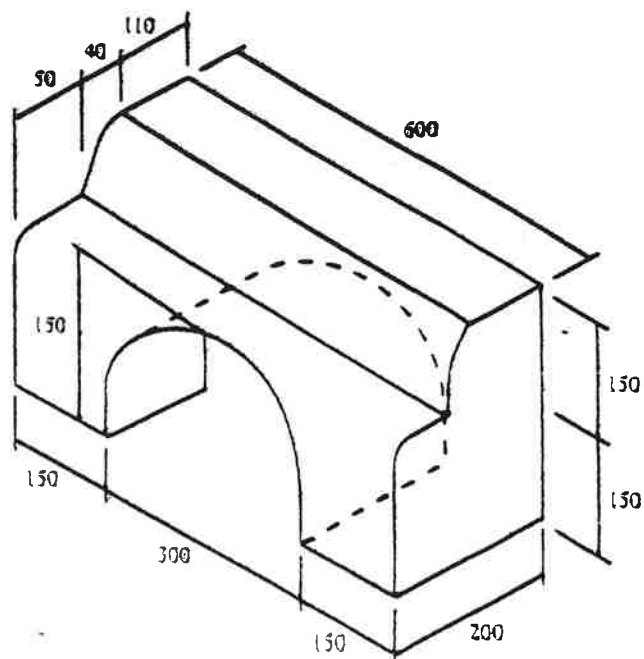


E-RETE (MALAYA) SDN. BHD.

PRECAST CONCRETE KERBS



BARRIER KERBS B1
LENGTH : 600MM

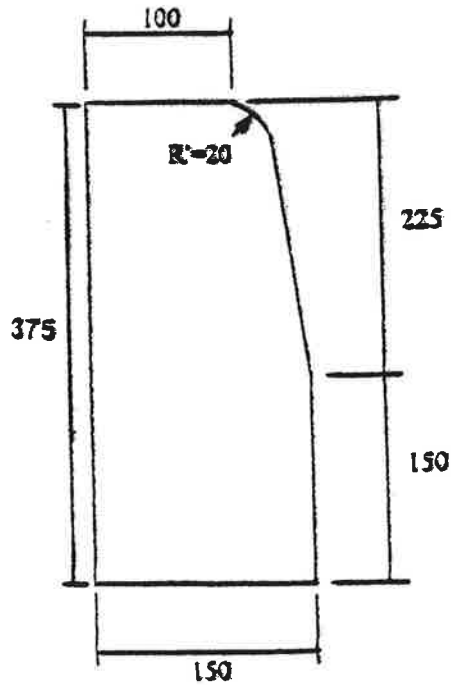


BARRIER KERBS B1 WITH HOLE
LENGTH : 600mm

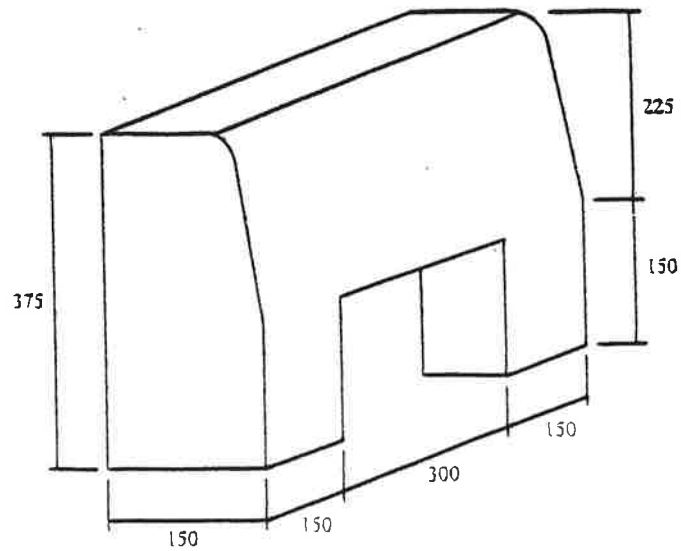


E-RETE (MALAYA) SDN. BHD.

PRECAST CONCRETE KERBS



STANDARD BARRIER KERBS (SB)
LENGTH : 600 MM

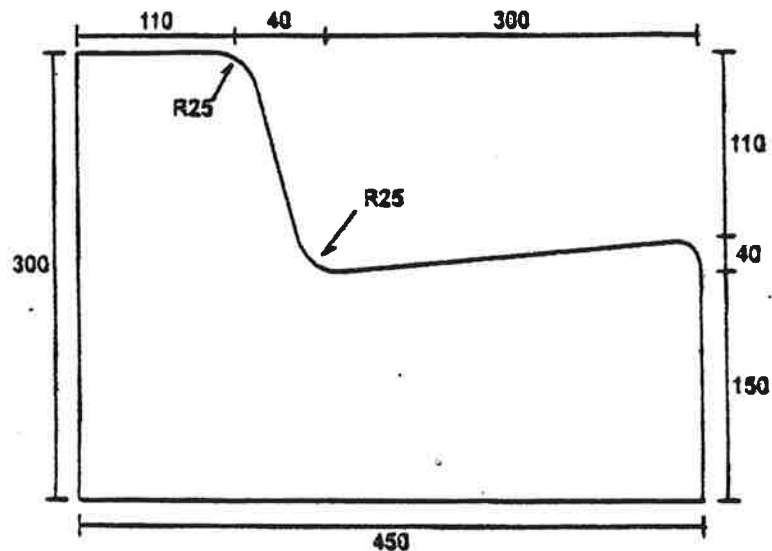


STANDARD BARRIER KERBS (SB)
LENGTH: 600mm

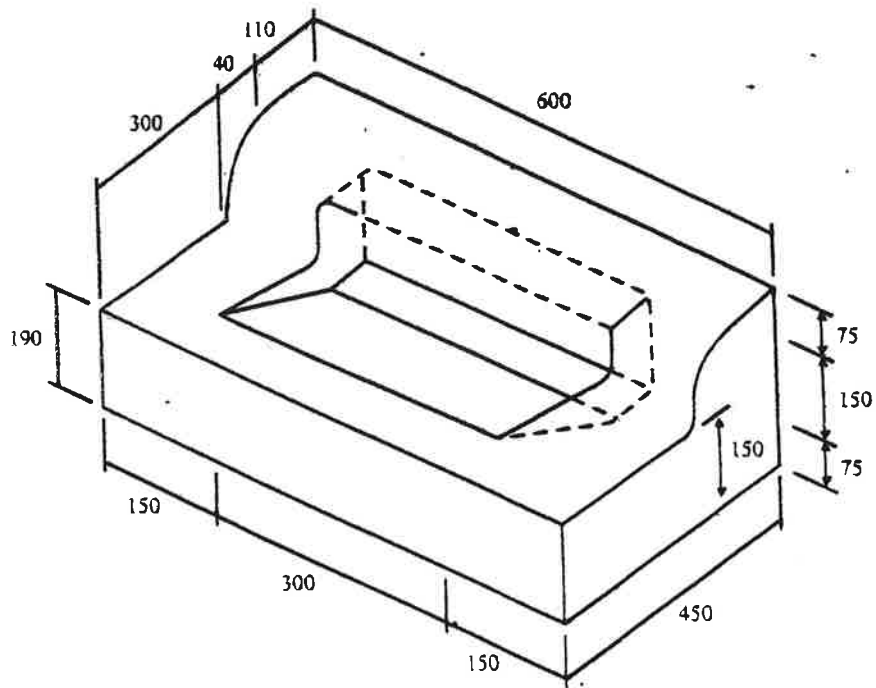


E-RETE (MALAYA) SDN. BHD.

PRECAST CONCRETE KERBS



BARRIER KERBS B2
LENGTH : 600MM



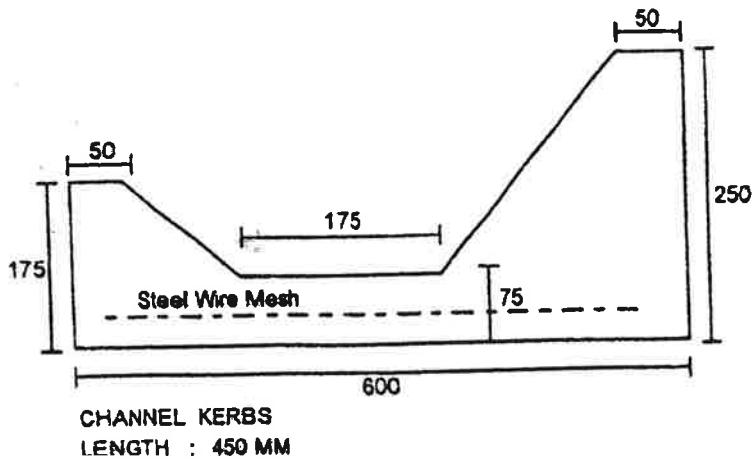
BARRIER KERBS: B2 WITH HOLE
LENGTH: 600mm

E-RETE (MALAYA) SDN BHD (5126-U)

Product:- Precast Concrete Channel Kerb / Embankment Drain

Concrete Grade Grade 20

Dimension : 600mm (W) x 250mm(H) x 0.45m(Length)



Note : Not to scale.