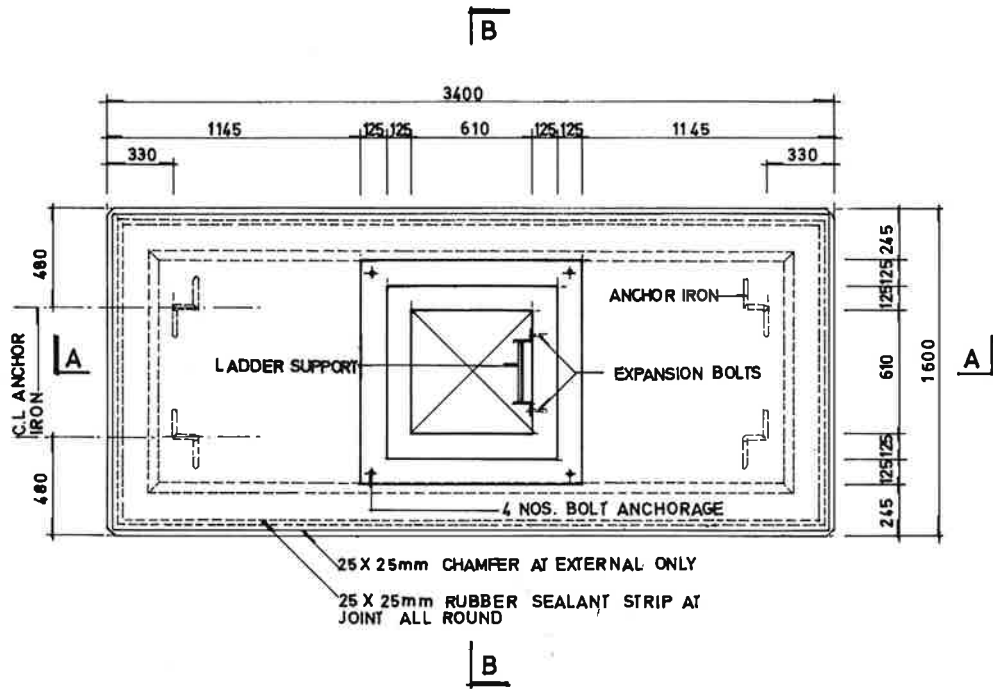
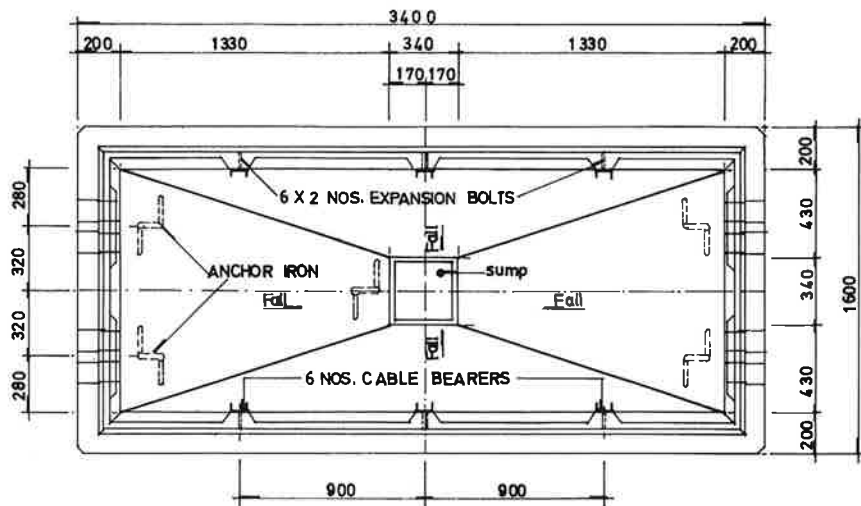


# MANHOLE TYPE R2A-P

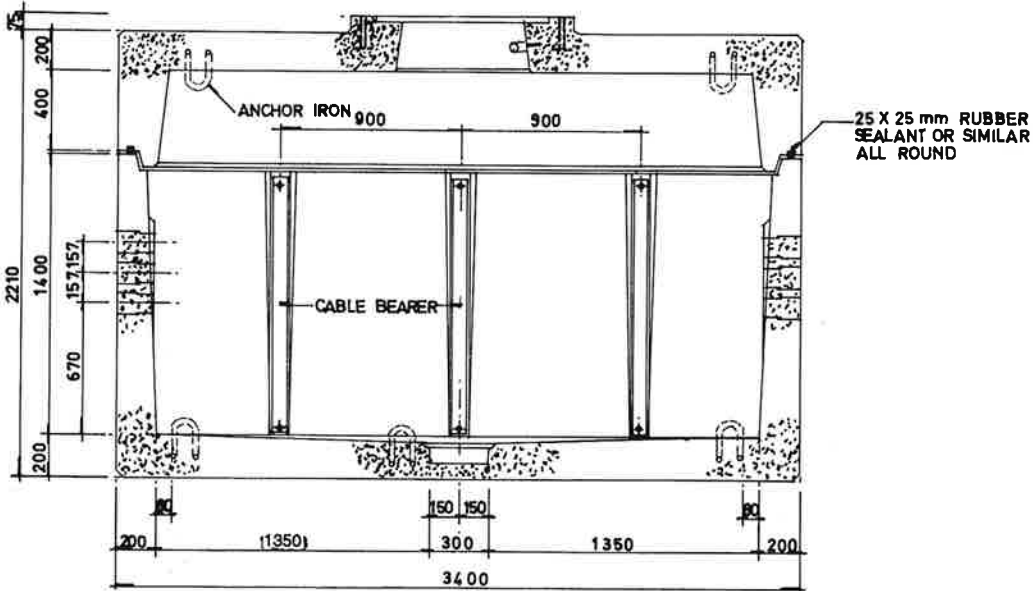


PLAN : ROOF OF PRECAST MANHOLE

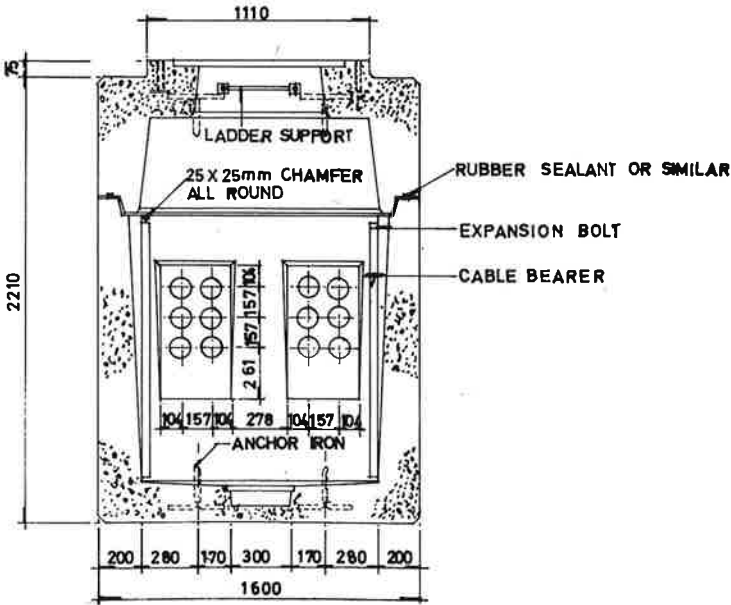


PLAN : LOWER SECTION OF PRECAST MANHOLE

# MANHOLE TYPE R2A-P



SECTION A - A



SECTION B - B