



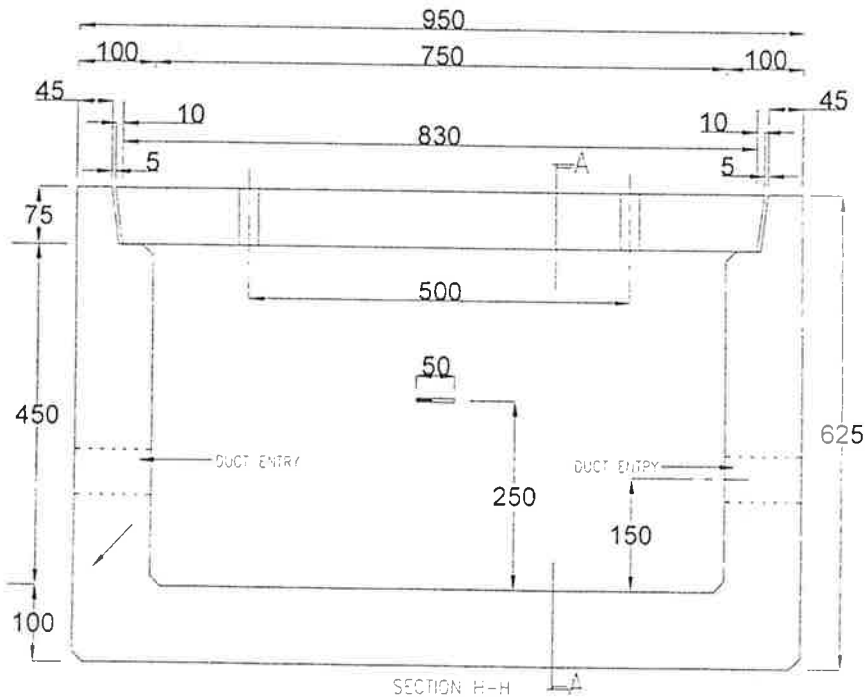
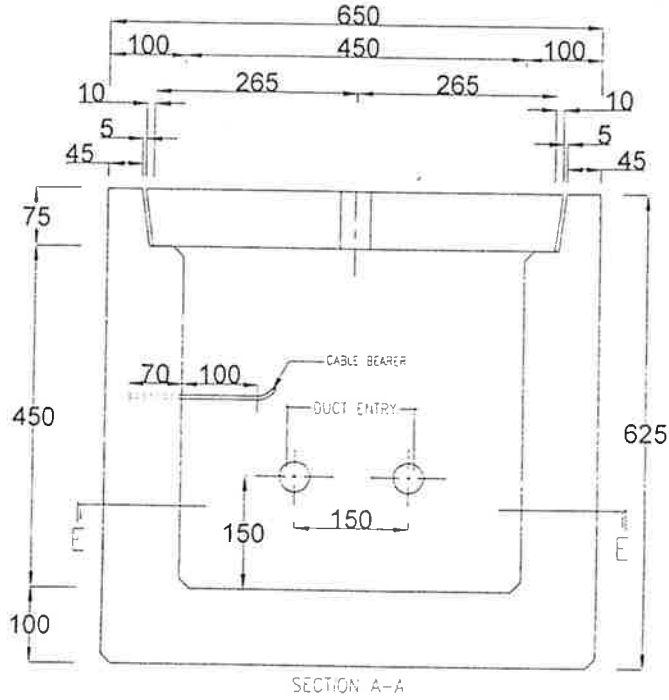
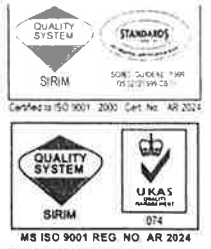
預力(馬)有限公司

**E-RETE (MALAYA) SDN. BHD. (5126-U)**

117, 2½ Miles, Jalan Kuala Kangsar, 30010 Ipoh, Perak, Malaysia.

Tel: 605-506 4221 (Hunting Line) Fax: 605-506 2369, 548 7931

Website: www.ereite.com.my e-mail : ereite@ereite.com.my



JOINTING PIT JB30 FOR FOOT-WAY



預力(馬)有限公司

**E-RETE (MALAYA) SDN. BHD. (5126-U)**

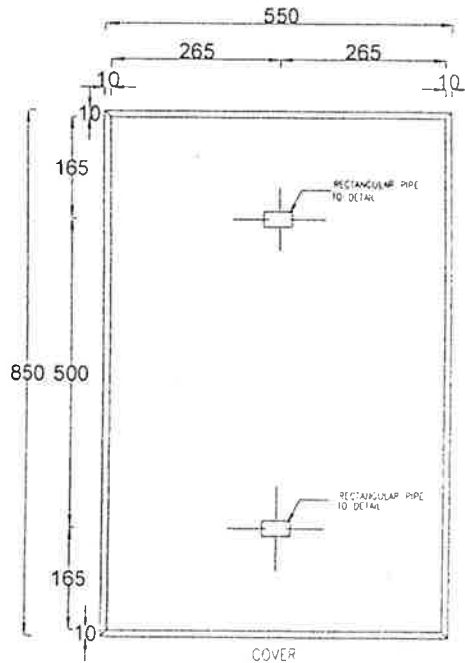
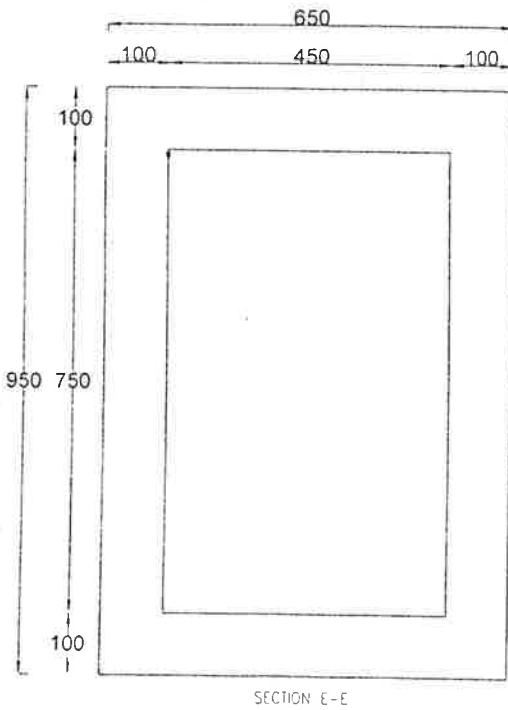
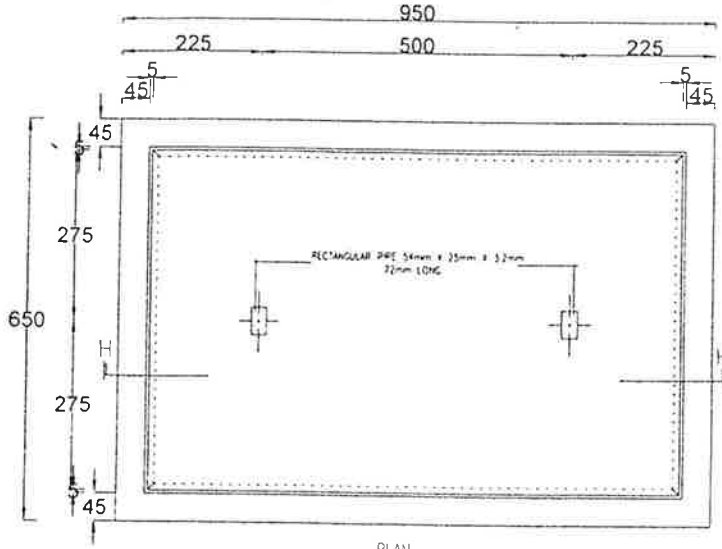
117, 2½ Miles, Jalan Kuala Kangsar, 30010 Ipoh, Perak, Malaysia.

Tel: 605-506 4221 (Hunting Line) Fax: 605-506 2369, 548 7931

Website: www.ereite.com.my e-mail : ereite@ereite.com.my



2/2



JOINTING PIT JB30 FOR FOOT-WAY