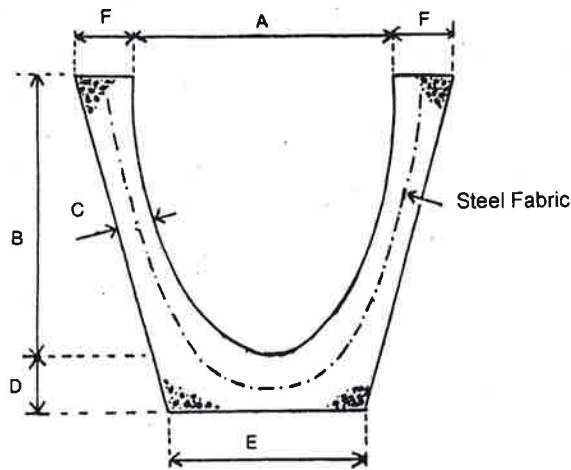




E-RETE (MALAYA) SDN. BHD.

PRECAST CONCRETE DRAINS

(1) Egg Shape Block Drains



Concrete Grade - 20 N/mm²

Nominal Size			A	B	C	D	E	F	Length	Weight Per Unit tonnes	Water Area m ²
mm	x	mm	mm	mm	mm	mm	mm	mm	mm		
225	x	225	229	229	44.5	51.0	184	51.0	760	0.059	0.039
300	x	300	305	305	51.0	63.5	222	63.5	600	0.078	0.068
375	x	375	381	381	51.0	70.0	248	76.0	600	0.091	0.109
450	x	450	457	457	51.0	76.0	279	76.0	600	0.121	0.155
600	x	600	610	610	63.5	101.5	432	101.5	600	0.227	0.291

Note: - Higher grade concrete and various size BRC are available upon request.

The Company reserves the right to alter specifications without notice.